

# Battery powered blind rivet setting tools

## AccuBird®

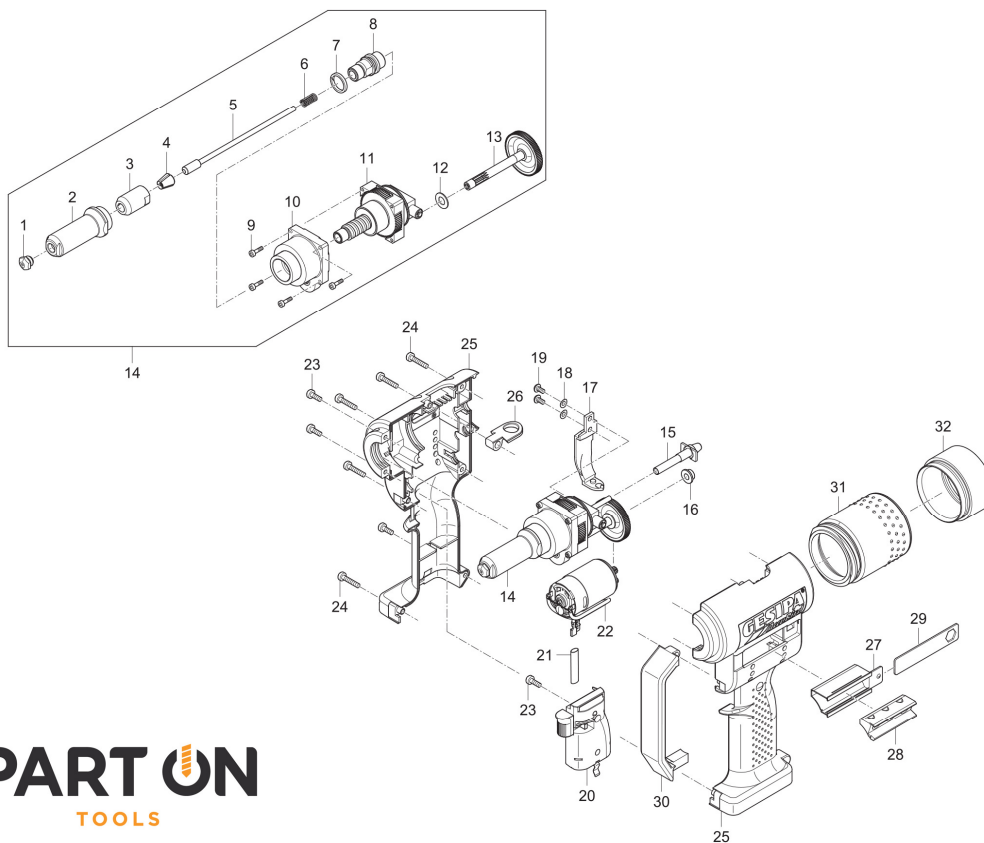
| Spare part no. | Article no. | Designation                  |
|----------------|-------------|------------------------------|
| 1 •            | 143 4955    | Nosepiece 17/24              |
|                | 143 4973    | Nosepiece 17/27              |
|                | 143 4974    | Nosepiece 17/29              |
|                | 143 4975    | Nosepiece 17/32              |
| 2              | 143 4956    | Head                         |
| 3 •            | 143 4129    | Jaw housing                  |
|                | 143 4958    | Jaws (3-part)                |
| 4 •            | 143 4173    | Jaws (3-part) BT             |
|                | 143 4959    | Jaw pusher                   |
| 5 •            | 143 4992    | Jaw pusher BT                |
|                | 144 5314    | Compression spring           |
| 7              | 143 4966    | Wiper                        |
| 8              | 143 4957    | Adapter                      |
| 9              | 144 5768    | Allen screw                  |
| 10             | 143 5027    | Bearing, complete            |
| 11             | 145 7363    | Ballscrew drive, mounted     |
| 12             | 143 4967    | Stop disc                    |
| 13             | 143 5028    | Pinion shaft, complete       |
| 14             | 145 7361    | Drive, complete (Items 1-13) |
|                | 143 4952    | Plastic tube                 |

| Spare part no. | Article no. | Designation                                  |
|----------------|-------------|--|
| 16             | 144 5763    | Sintered-metal bushing                       |
| 17             | 143 5031    | Magnetic holder, complete                    |
| 18             | 144 5770    | Spring washer                                |
| 19             | 144 5769    | Magnetic holder screw                        |
| 20             | 146 2906    | E-control                                    |
| 21             | 144 5774    | Hose, silicone                               |
| 22 •           | 143 5030    | Motor, complete                              |
| 23             | 144 5773    | Housing screw, short                         |
| 24             | 144 5772    | Housing screw, long                          |
| 25             | 145 7364    | Housing, complete                            |
| 26             | 143 5017    | Hanger                                       |
| 27             | 143 5016    | Nosepiece magazine                           |
| 28             | 143 4978    | Magazine insert                              |
| 29             | 144 5760    | Key  |
| 30             | 143 4953    | Protection bracket                           |
| 31             | 143 5032    | Spent mandrel container, complete            |
| 32             | 143 5034    | Extension                                    |
|                | 143 5033    | Changeover set for BULB-TITE® (BT), complete |
|                | 146 2907    | Safety lubricating grease, 40g tube          |

• Wearing parts

You will find detailed nosepiece allocation tables on page 338.

\* for BULB-TITE® blind rivets



**PART ON**  
TOOLS

**GESIPA®**