

Tel: 0121 439 7152

Email: sales@part-on.co.uk

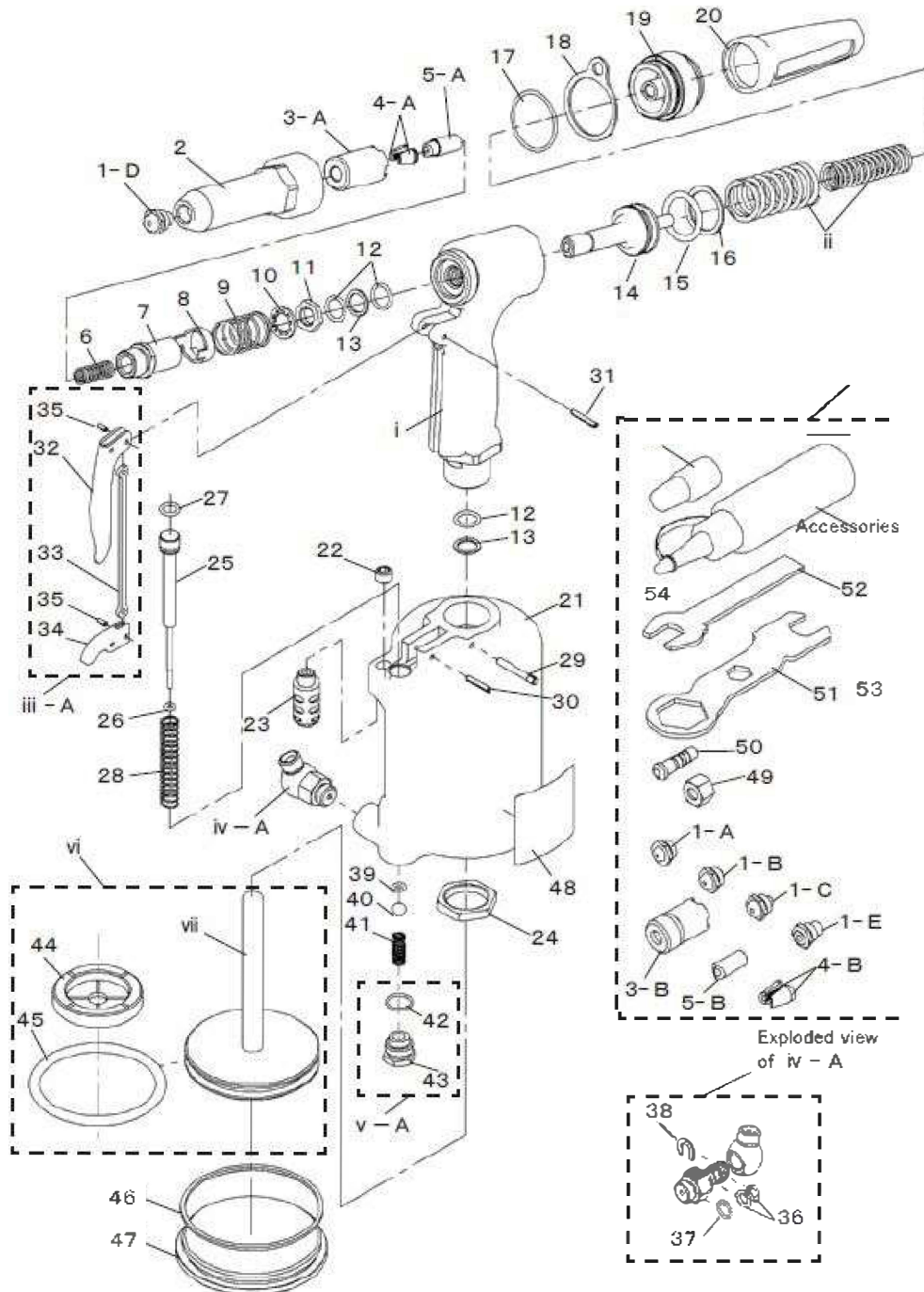
Add: Unit 21 Kings Norton Trading Estate

Stockmans Close,  
Birmingham B38 9TS

**PART ON**  
TOOLS

# Lobster AR-011HX Air Rivet Tool

## Parts Sheet



## Lobster AR-011HX Air Rivet Tool Parts Sheet

Index	Description	Part No.	Material	Index	Description	Part No.	Material
① - A	Nose-Piece 'M' 2.4mm	10213	Steel	28	Valve Pusher Spring	10453	Steel
① - B	Nose-Piece 'H' 3.2mm	10214	Steel	29	Slotted Pin 4 × 31	14154	Steel
① - C	Nose-Piece 'H' 4.0mm	10215	Steel	30	Spring Pin 3 × 18	10145	Steel
① - D	Nose-Piece 'H' 4.8mm	14350	Steel	31	Spring Pin 3 × 20	10251	Steel
① - E	Nose-Piece 'H' 6.4mm	10226	Steel	iii - A	Trigger (Long) Unit 'H'	20512	Steel
2	Frame Head	10191	Steel	32	Trigger (Long)	13126	Steel
③ - A	Jaw Case Head 'M'	14378	Steel	33	Trigger Connector Rod	10202	Steel
③ - B	Jaw Case Head 'H'	10447	Steel	34	Trigger Lever	10119	Steel
④ - A	Ultra Jaws (Pair) 'M'	10281	Steel	35	Spring Pin 3 × 7.2	23595	Steel
④ - B	Ultra Jaws (Pair) 'H'	10493	Steel	iv - A	Rotary Joint Unit	42502	②
⑤ - A	Jaw Pusher 'M'	10209	Steel	③6	O-Ring P-7	10149	Rubber
⑤ - B	Jaw Pusher 'H'	10224	Steel	37	O-Ring S-10	10151	Rubber
⑥	Jaw Pusher Spring	10210	Steel	38	Retaining Ring E-7	10285	Steel
⑦	Jaw Case	10429	Steel	③9	Valve Pusher Packing	17285	Rubber
8	Jaw Case Collar	10448	Steel	40	Valve (Steel Ball 8.0)	10247	Steel
9	Collar Spring	10449	Steel	41	Valve Spring	10444	Steel
⑩	Lock Washer	10148	Steel	v - A	End Plug Unit	65180	③
11	Jaw Case Lock Nut	10113	Steel	42	O-Ring S-14	10152	Rubber
i	Frame Unit	65413	①	43	End Plug	65178	Brass
⑫	O-Ring P-12	10128	Rubber	vi	Air Piston Unit	65416	②
⑬	B-Ring P-12	10129	Plastic	⑦	Air Piston Rod Unit	65417	④
14	Oil Piston	10195	Steel	④4	Bumper (Rubber Cushion)	29736	Rubber
⑮	O-Ring P-24	10207	Rubber	④5	O-Ring P-70	10212	Rubber
⑯	B-Ring P-24	10208	Plastic	④6	O-Ring G-80	10211	Rubber
ii	Return Spring	14139	Steel	47	Cylinder Cap	10059	Aluminum
17	O-Ring S-28	10221	Rubber	48	Warning Label	61075	⑤
⑱	Hanger Clip	10192	Steel	49	Air Hose Joint Nut 1/4	10139	Brass
19	Frame Cap	65420	Aluminum	50	Air Hose Joint 1/4	10140	Brass
⑳	Safety Cap	42505	Rubber	51	Spanner 'A'	10217	Steel
21	Air Cylinder	65411	④	52	Spanner 'B'	10218	Steel
22	Plug	14359	Steel	⑤3	Hydraulic Oil	10012	Plastic
⑳3	Silencer	14355	Plastic	⑤4	Lubricant Oil (in a bottle)	64088	Plastic
24	Frame Lock Nut	10112	Steel	Option			
25	Valve Pusher	65929	Steel	iii - B	Trigger (Short) Unit 'H'	14538	Steel
⑳6	O-Ring P-4	10454	Rubber	iv - B	Change Plug Unit	42509	⑥
⑳7	O-Ring P-9	10219	Rubber	v - B	Nipple Unit	65191	③

- ❖ Parts with circled Index No. are consumable parts. They should be replaced periodically.
- ❖ Index No. i (Frame Unit) includes Index No. 12 and 13 (O-Ring P-12 and B-Ring P-12).
- ❖ Index No. 21 (Air Cylinder) includes Index No. 22 (Plug).
- ❖ Unit parts materials.

① Aluminum, Rubber, Plastic

② Aluminum, Rubber, Steel

③ Brass, Rubber

④ Aluminum, Steel

⑤ Paper, Plastic

⑥ Rubber, Plastic