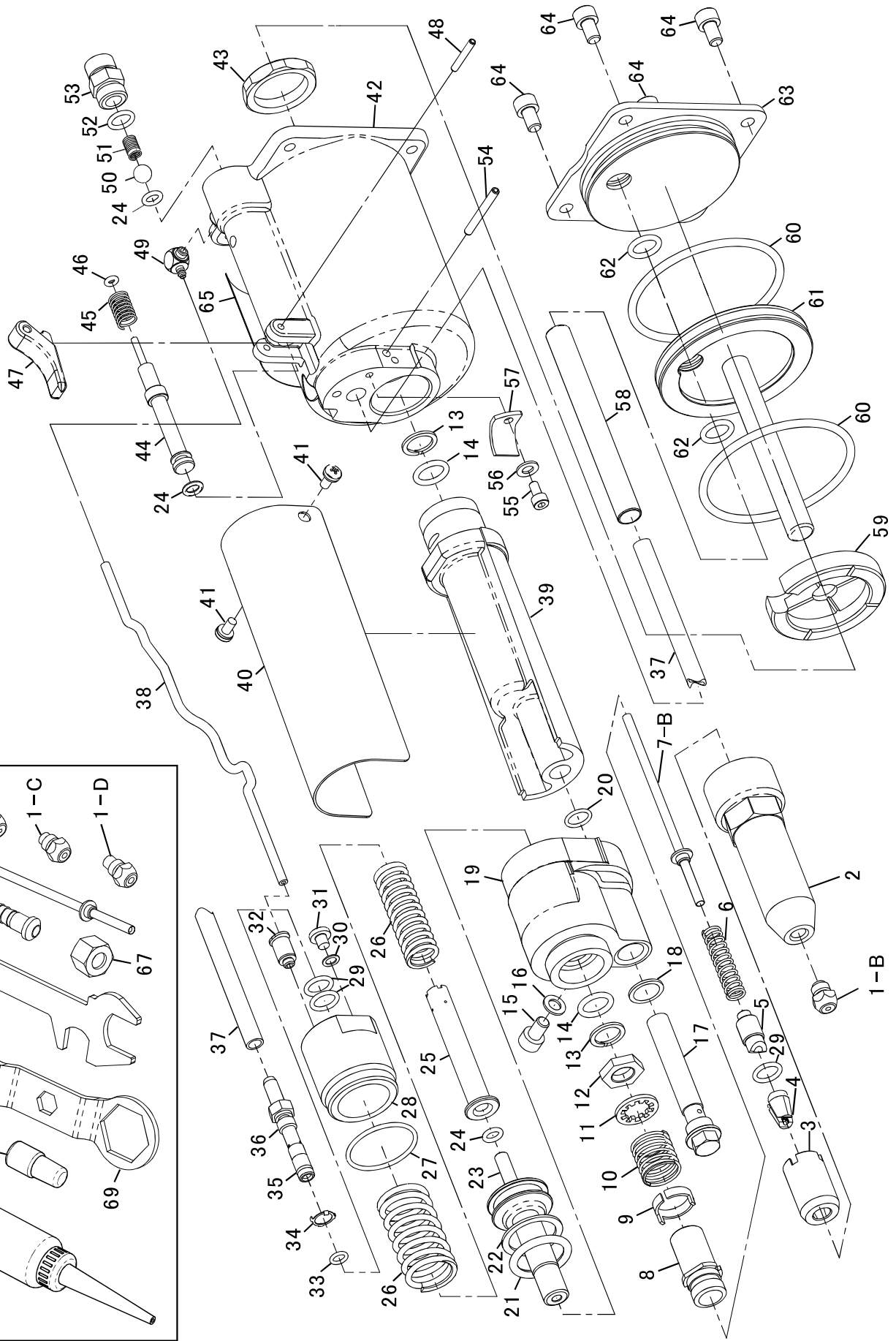
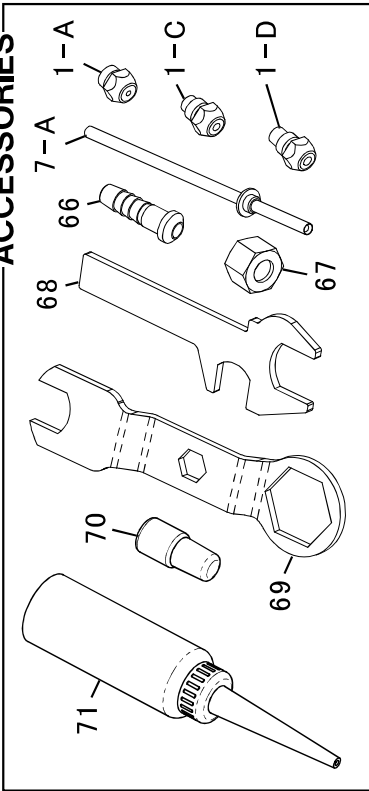


● PARTS TABLE

ACCESSORIES



Index No.	Part name	Code No.	Material	Index No.	Part name	Code No.	Material
1-A	Nosepiece 2.4 (3/32)	10027	Steel	35	O-ring S-5	10276	Rubber
1-B	Nosepiece 3.2 (1/8)	10028	Steel	36	Nozzle Unit	14324	⑤
1-C	Nosepiece 4.0 (5/32)	10029	Steel	37	Chute Hose	10381	Plastic
1-D	Nosepiece 4.8 (3/16)	10030	Steel	38	Urethane Tube 200	64955	Plastic
2	Frame Head	10105	Steel	39	Oil Tank	65730	②
③	Jaw Case Head	10280	Steel	40	Cover	10380	Steel
④	Ultra Jaw (Medium)	10281	Steel	41	Cross Recessed Pan Head Screw with SW M4x8	12945	Steel
⑤	Jaw Pusher	10132	Steel	42	Cylinder	65676	Aluminum
⑥	Jaw Pusher Spring	10133	Steel	43	Frame Lock Nut	65666	Steel
⑦-A	Guide Pipe A	66043	Brass	44	Valve Pusher	10345	Brass
⑦-B	Guide Pipe B	14234	①	45	Valve Pusher Spring	10246	Steel
⑧	Jaw Case	10279	Steel	46	O-ring P-3	10333	Rubber
9	Jaw Case Collar	10286	Steel	47	Trigger	10376	Aluminum
10	Collar Spring	10287	Steel	48	Spring Pin 3x20	10251	Steel
11	Lock Washer	10148	Steel	49	Barb Elbow for Soft Tube	63226	④
12	Jaw Case Lock Nut	10113	Steel	50	Valve	10247	Steel
13	B-ring P-12	10129	Plastic	51	Valve Spring	10248	Steel
14	O-ring P-12	10128	Rubber	52	O-ring P-9	10219	Rubber
15	Bleed Plug(Hexagon Socket Head Cap Screw)	10368	Steel	53	Nipple	14484	Brass
16	Sealing Washer	63209	Plastic	54	Spring Pin 3.5x30	66139	Steel
17	Connecting Bolt	65668	Steel	55	Hexagon Socket Head Cap Screw M4x8	20918	Steel
18	Packing 12M	10364	Plastic	56	Washer M5	14642	Steel
19	Frame	65677	②	57	Urethane Mandrel Stopper	65670	Plastic
20	O-ring S-10	10151	Rubber	58	Chute Hose Cover	65681	Stainless
21	O-ring P-22A	10130	Rubber	59	Cushion Rubber	65667	Rubber
22	B-ring P-22A	10131	Plastic	60	O-ring 0650G	65669	Rubber
23	Oil Piston	10241	Steel	61	Air Piston	65988	⑥
24	O-ring P-6	10150	Rubber	62	O-ring P-11	23663	Rubber
25	Adapter	10377	Brass	63	Cylinder Cap	65678	Aluminum
26	Return Spring (DB)	66004	Steel	64	Hexagon Socket Head Cap Screw M6x10	10368	Steel
27	O-ring S-26	10153	Rubber	65	Warning Label	61075	⑦
28	Frame Cap	65665	Aluminum	66	Hose Joing 1/4	10140	Brass
29	O-ring P-10	10274	Rubber	67	Cap Nut 1/4	10139	Brass
30	Packing M5	65673	③	68	Spanner B	10142	Steel
31	Cross Recessed Pan Head Screw M5x5	66135	Steel	69	Spanner A	10141	Steel
32	One Touch Straight Joint	43738	④	⑦⑩	"LOBSTER" Lubricant Oil	64088	---
33	O-ring S-6	10220	Rubber	⑦⑪	"LOBSTER" Hydraulic Oil	10012	---
34	Nozzle Washer	10370	Stainless	---	---	---	---

Unit parts materials

- ① Stainless, Brass ② Aluminum, Rubber, Plastic ③ Stainless, Rubber
 ④ Stainless, Plastic, Brass, Rubber ⑤ Brass, Rubber ⑥ Aluminum, Rubber ⑦ Paper, Plastic

◎ Parts with circled Index No. are consumable parts. They should be replaced periodically.

◎ Part No.19 (Frame) includes part No.13 (B-ring P-12) 1pcs. and part No.14 (O-ring P-12) 1pcs.

◎ Part No.26 (Return Spring(U)) is combination of 2 different springs.

◎ Part No.36 (Nozzle Unit) includes part No.33 (O-ring S-6) 1pcs. and part No.35 (O-ring S-5) 1pcs.

◎ Part No.39 (Oil Tank) includes part No.13 (B-ring P-12) 1pcs. and part No.14 (O-ring P-12) 1pcs.

◎ Part No.61 (Air Piston) includes part No.62 (O-ring P-11) 1pcs.