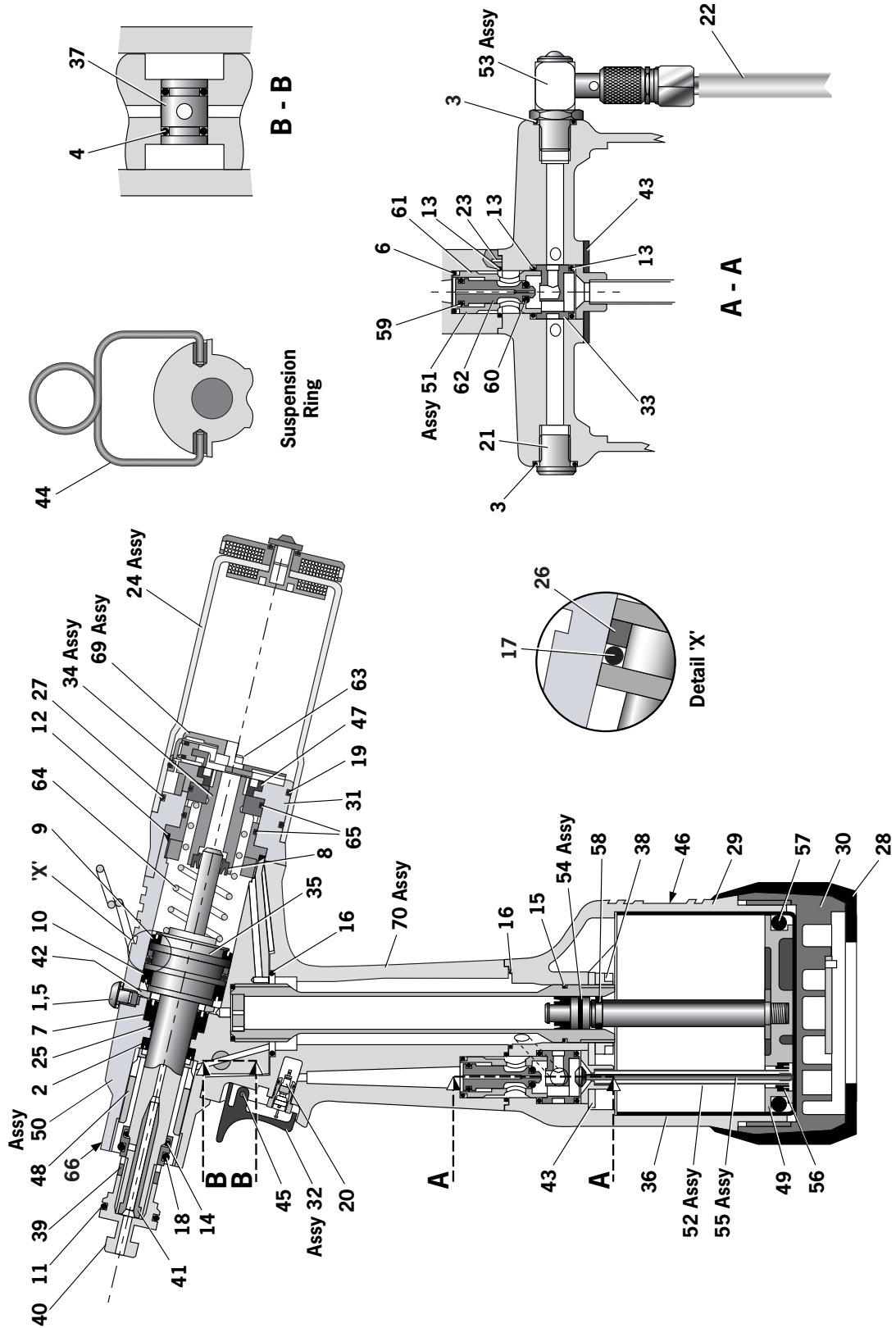


General Assembly of Base Tool 71203-02000



Parts List for 71203-02000

* These are minimum recommended levels of spares based on regular servicing									
71203-02000 PARTS LIST									
ITEM	PART N°	DESCRIPTION	QTY	SPARES	ITEM	PART N°	DESCRIPTION	QTY	SPARES
01	07001-00405	M5x5 HEX SOCKET BUTTON HD SCREW	1		42	71210-02019	SEAL RETAINER	1	
02	07003-00333	LIP SEAL	1		43	71200-02021	CLAMP PLATE	1	
03	07003-00127	'O' RING	1		44	71210-02022	SUSPENSION RING	1	
04	07003-00189	'O' RING	2		45	71210-02024	TRIGGER PIN	1	
05	07003-00194	M5 BONDED SEAL	1		46	71203-02027	LABEL	1	
06	07003-00271	'O' RING	1		47	71213-02028	RETAINING NUT	1	
07	07003-00273	LIP SEAL	1		48	71210-02104	SEAL HOUSING	1	
08	07003-00274	LIP SEAL	1		49	71201-03200	PNEUMATIC PISTON ASSEMBLY (ITEMS 56 TO 58)	1	
09	07003-00275	LIP SEAL	1		50	71213-03320	HEAD ASSEMBLY	1	
10	07003-00341	LIP SEAL	1		51	71210-03400	VALVE SPOOL ASSEMBLY (ITEMS 59 TO 62)	2	
11	07003-00277	'O' RING	1		52	71200-03600	TRANSFER TUBE ASSEMBLY	2	
12	07003-00278	'O' RING	1		53	71210-03700	ON/OFF VALVE ASSEMBLY	1	
13	07003-00281	'O' RING	3		54	71210-03800	INTENSIFIER SEAL ASSEMBLY	1	
14	07003-00204	'O' RING	1		55	71200-03500	VALVE ROD ASSEMBLY	1	
15	07003-00287	'O' RING	1		56	07003-00300	LIP SEAL	1	
16	07003-00288	'O' RING	2		57	07003-00293	'O' RING	1	
17	07003-00342	'O' RING	1		58	71210-03205	GUIDE RING	1	
18	07003-00310	'O' RING	1		59	07003-00042	'O' RING	1	
19	07003-00415	'O' RING	1		60	07003-00268	'O' RING	1	
20	07005-00088	TRIGGER VALVE	1		61	71210-03401	VALVE BODY	1	
21	07005-01274	1/8" BSP PLUG	1		62	71210-03402	VALVE SPOOL	1	
22	07008-00010	6" FLEXIBLE HOSE	1		63	07001-00677	SCREW	2	
23	07007-00224	3mm DIAx10mm SPIROL PIN	2		64	07490-03002	SPRING	1	
24	71213-03800	STEM COLLECTOR BOTTLE ASSEMBLY	1		65	07003-00398	'O' RING (SPIGOT)	2	
25	71213-02021	BEARING TAPE - PISTON ROD	1		66	07007-01503	LABEL BOOK SYMBOL	1	
26	71213-02022	BEARING TAPE - PISTON	1		67	07900-00849	NOSE EQUIPMENT SPANNER (NOT SHOWN)	1	
27	07003-00416	'O' RING	1		68	07900-00843	TOOL INSTRUCTION MANUAL	1	
28	71200-02055	RUBBER BOOT	2		69	71213-03900	STOP PLATE ASSEMBLY	1	
29	71203-02003	BODY MACHINED	1		70	71213-02013	HANDLE ASSEMBLY	1	
30	71200-02006	BASE COVER	1						
31	71213-03000	BOTTLE ADAPTOR ASSEMBLY	1						
32	71213-02008	TRIGGER ASSEMBLY	1						
33	71210-02009	VALVE SEAT	1						
34	71213-02025	END CAP ASSEMBLY	1						
35	71213-02121	HEAD PISTON	1						
36	71200-02012	CYLINDER LINER	1						
37	71213-02012	ROTARY VALVE	1						
38	71210-02014	CLAMP NUT	1						
39	71210-02103	LOCKNUT	1						
40	71213-02020	MALE T ADAPTOR	1						
41	71210-02102	VACUUM SLEEVE	1						

Nose Assemblies

IMPORTANT

Nose assemblies do NOT include nose tips. Nose tips must be ordered separately.

A tool (except part number 71203-00039) must always be fitted with the correct nose assembly and nose tip for your fastener but if you wish to order a nose assembly or a nose tip separately, refer to the 'NOSE TIPS' tables below and pages 10 and 12.

If your application presents no access restriction use a Type '1' Nose Tip unless you are placing aerospace fasteners which requires a Type '3' Nose Tip.

Dimensions 'A' and 'B' below will help you assess the suitability of a particular nose tip.

You should also check that the dimensions of the nose casing will not restrict access to your application. If access is restricted Type '2' Nose Tips are available for some fasteners. Refer to the table page 12.

It is essential that nose assembly and nose tip are compatible with the fastener prior to operating the tool. If you have ordered a 71203-00039 complete tool, it is important that you check that the nose tip already fitted to the nose assembly is the correct one to place your fastener by sliding the fastener stem into the nose tip. No force should be required and play should be minimal.

Swivel heads are available as an alternative to nose assemblies when further reach is required. See pages 14-16 in the 'Accessories' section.

TYPE 1 NOSE TIPS

¹ In inches then in millimetres.

² Head forming nose tips for use with countersunk heads ONLY.

* Complete tool part number 71203-00039 does not only include the 71203-15000 nose assembly below but also the following two nose tips: 71210-05002 and 71210-16070 making up a nose assembly kit part number 71203-15100. Use the nose tip listed in the table.

* Items 3-11 available as cartridge assembly 71203-20320

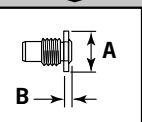
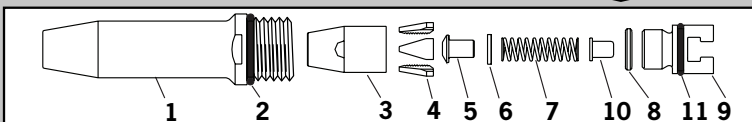
Note:

Alternative spring 07498-04301 should be fitted if stem jamming occurs when installing small diameter fasteners.

NAME	FASTENER		MATERIAL	NOSE TIP (mm)			see below
	Ø ¹			PART N°	'A'	'B'	
AVEX®	1/8	3.2	Al Alloy	71210-05002	12.7	4.8	... 0 39*
	1/8	3.2	Steel	71210-16070	12.7	3.3	... 0 39*
	1/8	3.2	Al Alloy	07340-06401 ²	12.7	2.9	... 0 0 3
	-	3.0	Al Alloy	71210-05002	12.7	4.8	... 0 39*
	5/32	4.0	Al Alloy	71210-16070	12.7	3.3	... 0 39*
	5/32	4.0	Al Alloy	07340-06501 ²	12.7	3.3	... 0 0 9
BULBEX®	5/32	4.0	Al Alloy	71210-16070	12.7	3.3	... 0 39*
AVINOX® II	1/8	3.2	Stainless Steel	71210-16070	12.7	3.3	... 0 39*
AVIBULB®	1/8	3.2	Steel	71210-16070	12.7	3.3	... 0 39*
AVDEL® SR	1/8	3.2	Any	71210-05002	12.7	4.8	... 0 39*
	5/32	4.0	Any	71210-16070	12.7	3.3	... 0 39*
STAVEX®	1/8	3.2	Steel	71210-16070	12.7	3.3	... 0 39*
	1/8	3.2	Stainless Steel	71210-16070	12.7	3.3	... 0 39*
Q™ RIVET	1/8	3.2	Any	71210-05002	12.7	4.8	... 0 39*
N™ RIVET	3/32	2.4	Any	71200-16051	12.7	3.3	... 0 3 3

NOSE ASSEMBLY part n° 71203-15000 (+ 2nose tips above = 71203-15100)

ITEM	DESCRIPTION	PART N°
1	TAPERED NOSE CASING	71213-00350
2	'O' RING	07003-00067
3	JAW HOUSING TAPERED	71210-15902*
4	JAWS	71200-15001*
5	JAW SPREADER	07498-04502*
6	BUFFER	71210-05001*
7	(See Note): SPRING	07500-00418*
8	LOCKING RING	07340-00327*
9	JAW SPREADER HOUSING 'T'	71210-20321*
10	DETENT SLEEVE	71210-20322*
11	'O' RING	07003-00277*



**COMPLETE TOOL
PART NUMBER :**
 precede with 71203-00.
 * See top left

Nose Assemblies

Nose Tips

TYPE 1A NOSE TIPS

NAME	FASTENER		MATERIAL	NOSE TIP (mm)			see below
	Ø ¹			PART N°	'A'	'B'	
AVEX®	5/32	4.0	Steel	07381-04701	12.7	2.8	... 020
	3/16	4.8	Al Alloy	07381-04701	12.7	2.8	... 020
	3/16	4.8	Al Alloy	07340-04800	19.0	3.3	... 016
Large flange	3/16	4.8	Al Alloy	07340-06601 ²	12.7	4.1	... 015
	3/16	4.8	Al Alloy	07381-04701	12.7	2.8	... 020
BULBEX®	-	4.3	Steel	07340-06201	12.7	3.3	... 120
T-LOK®	5/32	4.0	Steel	07381-04701	12.7	2.8	... 020
AVIBULB®	5/32	4.0	Steel	07381-04701	12.7	2.8	... 020
STAVEX®	5/32	4.0	Stainless Steel	07381-04701	12.7	2.8	... 020
Q™ RIVET	5/32	4.0	Any	07340-06201	12.7	3.3	... 120

¹ In inches then in millimetres.
² Head forming nose tips for use with countersunk heads ONLY.

* Items 3-11 available as cartridge assembly 71213-20320

NOSE ASSEMBLY part n° 71213-15000

ITEM	DESCRIPTION	PART N°
1	TAPERED NOSE CASING	71213-00350
2	'O' RING	07003-00067
3	JAW HOUSING TAPERED	71210-15902*
4	JAWS	71210-15001*
5	JAW SPREADER	07498-04502*
6	BUFFER	71210-05001*
7	SPRING	07500-00418*
8	LOCKING RING	07340-00327*
9	JAW SPREADER HOUSING 'T'	71210-20321*
10	DETENT SLEEVE	71210-20322*
11	'O' RING	07003-00277*

**COMPLETE TOOL
PART NUMBER :**
precede with 71203-00.

AVSEAL® II NOSE TIPS

NAME	FASTENER		MATERIAL	NOSE TIP (mm)			see below	
	Ø ¹			PART N°	'A'	'B'		
AVSEAL® II	5/32	4.0	Standard Al. Alloy - Flush Nose Tip	71213-16100	71210-16102	12.7	2.5	... 401
	5/32	4.0	Standard Al. Alloy - 2mm Extended Nose Tip	71213-16100	71210-16106	12.7	5.4	... 402
	5/32	4.0	Standard Al. Alloy - 8mm Extended Nose Tip	71213-16100	71210-16110	12.7	11.4	... 403
	-	5.0	Standard Al. Alloy - Flush Nose Tip	71213-16100	71210-16103	12.7	2.5	... 404
	-	5.0	Standard Al. Alloy - 2mm Extended Nose Tip	71213-16100	71210-16107	12.7	5.4	... 405
	-	5.0	Standard Al. Alloy - 8mm Extended Nose Tip	71213-16100	71210-16111	12.7	11.4	... 406

NOSE ASSEMBLY part n° 71213-16100

ITEM	DESCRIPTION	PART N°
1	TAPERED NOSE CASING	71213-00350
2	'O' RING	07003-00067
3	JAW HOUSING - TAPERED	71210-15902 *
4	JAW	71210-16101 *
5	JAW SPREADER	07498-04502 *
6	BUFFER	71210-05001 *
7	SPRING	07500-00418 *
8	LOCKING RING	07340-00327 *
9	JAW SPREADER HOUSING 'T'	71210-20321 *
10	DETENT SLEEVE	71210-20322 *
11	'O' RING	07003-00277 *

**COMPLETE TOOL
PART NUMBER :**
precede with 71203-00.

* Items 3-11 available as cartridge assembly 71213-16320

10 Avdel®
 An Acument™ Global Technologies Company

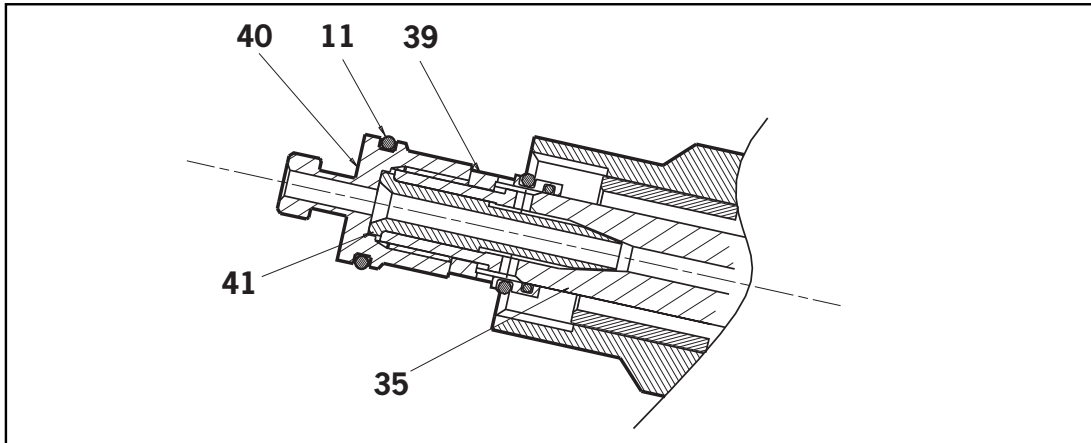
Nose Assemblies

Nose Tips

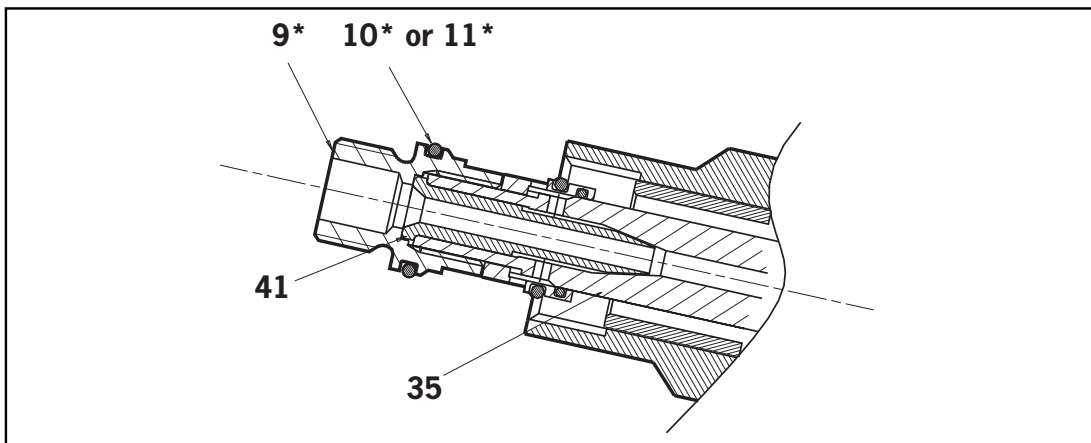
Jaw Spreader Housing

To fit Nose Tips Type 2/3 or Nose Extension, the Male 'T' Adaptor **40** must be replaced with Jaw Spreader Housing **9***.

- Loosen Locknut **39** using 16mm AF Spanner.
- Unscrew and remove Male 'T' Adaptor **40** together with 'O' Ring **11**.



- Fit Jaw Spreader Housing **9*** (71210-02101) together with 'O' Ring **10*** or **11*** (Jaw Spreader Housing **9*** and 'O' Ring **10*** or **11*** are supplied with Type 2 and 3 Nose Assemblies)
- The Jaw Spreader Housing **9*** must be tightened onto Head Piston **35** trapping Vacuum Sleeve **41** finally tighten Locknut **39** against Jaw Spreader Housing **9***.



Items **9*** and **10*** or **11*** refer to illustrations on pages 9, 10 and 12.

For the other items refer to the general assembly drawing and parts list on pages 26 and 27.

Nose Assemblies

Nose Tips

To fit Nose Tips Type 2 or 3 remove Male 'T' Adaptor **40** and replace with Jaw Spreader Housing **9*** and 'O' Ring **10***.

TYPE 2 NOSE TIPS

NOSE ASSEMBLY part n° 71210-15200

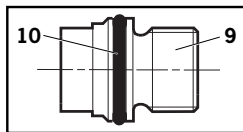
ITEM	DESCRIPTION	PART N°
1	NOSE CASING	07340-02804
2	'O' RING	07003-00067
3	JAW HOUSING	07340-00304
4	JAWS	71210-15001
5	JAW SPREADER	07498-04502
6	BUFFER	71210-05001
7	SPRING	07500-00418
8	LOCKING RING	07340-00327
9	JAW SPREADER HOUSING	71210-02101
10	'O' RING	07003-00277

NAME	FASTENER		NOSE TIP (mm)			see below
	Ø ¹	MATERIAL	PART N°	'A'	'B'	
AVEX®	1/8 : 3.2	Aluminium Alloy	07340-02805	9.5	12.95	... 0 0 2
	1/8 : 3.2	Steel	07340-02806	9.5	11.4	... 0 0 8
	5/32 : 4.0	Aluminium Alloy	07340-02806	9.5	11.4	... 0 0 8
	5/32 : 4.0	Steel	07340-02807	12.7	10.0	... 0 1 4
BULBEX®	3/16 : 4.8	Aluminium Alloy	07340-02807	12.7	10.0	... 0 1 4
	5/32 : 4.0	Aluminium Alloy	07340-02806	9.5	11.4	... 0 0 8
T-LOK®	-	Steel	07241-07101	12.7	10.0	... 1 2 1
STAVEX®	1/8 : 3.2	Steel	07340-02806	9.5	11.4	... 0 0 8
	5/32 : 4.0	Steel	07340-02807	12.7	10.0	... 0 1 4
	1/8 : 3.2	Stainless Steel	07340-02806	9.5	11.4	... 0 0 8
AVIBULB®	5/32 : 4.0	Stainless Steel	07340-02807	12.7	10.0	... 0 1 4
	1/8 : 3.2	Steel	07340-02806	9.5	11.4	... 0 0 8
	5/32 : 3.2	Steel	07340-02807	12.7	10.0	... 0 1 4

¹ In inches then in millimetres.

TYPE 2 NOSE TIPS ARE EXTENDED TO ALLOW ACCESS INTO APPLICATIONS WHERE TYPE 1 NOSE TIPS WILL NOT REACH.

COMPLETE TOOL PART NUMBER :
precede with 71203-00



Remove Male 'T' Adaptor **40** from the Tool (see page 11) and replace with Jaw Spreader Housing **9*** (71210-02101) and 'O' Ring **10***.

TYPE 3 NOSE TIPS

NOSE ASSEMBLY part n° 71210-15300

ITEM	DESCRIPTION	PART N°
1	NOSE CASING	07344-02001
2	'O' RING	07003-00067
3	JAW HOUSING	07340-00304
4	JAWS	71210-15001
5	JAW SPREADER	07498-04502
6	BUFFER	71210-05001
7	SPRING	07500-00418
8	LOCKING RING	07340-00327
9	JAW SPREADER HOUSING	71210-02101
10	'O' RING	07003-00277

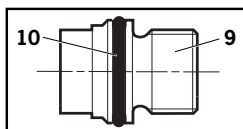
TYPE 3 NOSE TIPS ARE SPECIFICALLY FOR THE AEROSPACE FASTENERS LISTED BELOW.

NAME	FASTENER		NOSE TIP (mm)			see below
	Ø ¹	MATERIAL	PART N°	'A'	'B'	
AVDEL®	1/8 : 3.2	Al Alloy	71210-16030	12.7	2.5	... 2 8 3
	1/8 : 3.2	Al Alloy O	71210-16031	12.7	2.5	... 2 8 4
	1/8 : 3.2	Stainless Steel	71210-16032	12.7	3.3	... 2 8 5
	5/32 : 4.0	Al Alloy	71210-16033	12.7	2.5	... 2 8 8
	5/32 : 4.0	Al Alloy O	71210-16034	12.7	2.5	... 2 8 9
MBC®	5/32 : 4.0	Stainless Steel	71210-16035	12.7	3.3	... 2 9 0
	1/8 : 3.2	Any	07340-06701	12.7	4.8	... 3 0 0
MBC L/C®	5/32 : 4.0	Any	07340-06801	12.7	5.0	... 3 0 5
	1/8 : 3.2	Any	07344-04701	12.7	4.6	... 3 2 0
	5/32 : 4.0	Any	07344-04701	12.7	4.6	... 3 2 0

¹ In inches then in millimetres. **O** Oversize

TYPE 3 NOSE TIPS ARE SPECIFICALLY FOR THE AEROSPACE FASTENERS LISTED BELOW.

COMPLETE TOOL PART NUMBER :
precede with 71203-00



Remove Male 'T' Adaptor **40** from the Tool (see page 11) and replace with Jaw Spreader Housing **9*** (71210-02101) and 'O' Ring **10***.

9* and **10*** refer to the illustrations on this page. Item **40** refer to pages 26 and 27.

Accessories

Stem Deflector

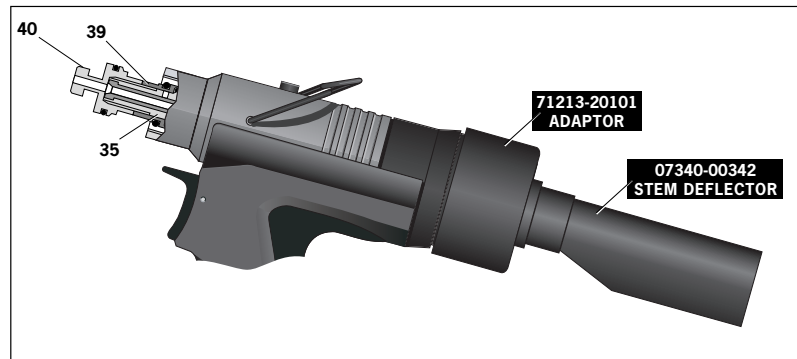
The stem deflector is a very simple alternative to the standard stem collector and allows access in restricted areas. To replace the stem collector with the stem deflector proceed as follows:

Preparing the Base Tool for use with Stem Deflector

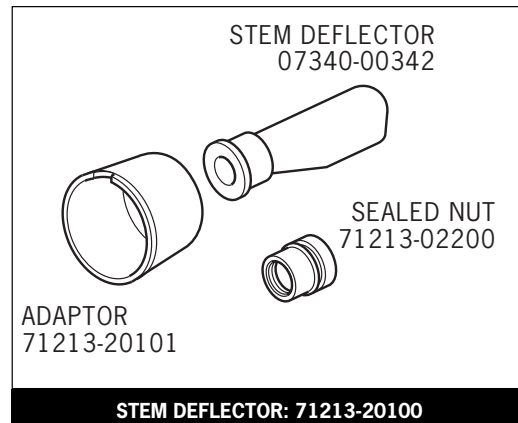
The air line must be disconnected before any servicing or dismantling.

'Sealed' Nut 71213-02200 replaces Locknut **39** (to cut-off air supply to Vacuum System) as follows:

- Loosen Locknut **39** using 16mm AF Spanner.
- Unscrew and remove both Male 'T' Adaptor **40** and Locknut **39**.
- Replace Locknut **39** with 'Sealed Nut' 71213-02200, screw 'Sealed Nut' onto Head Piston **35** to disable Vacuum System.
- Male 'T' Adaptor **40** must be tightened onto Head Piston **35**, finally tightening 'Sealed Nut' against it.
- Remove the Stop Plate Assembly (page 24) by unscrewing Screws **63** (2off).



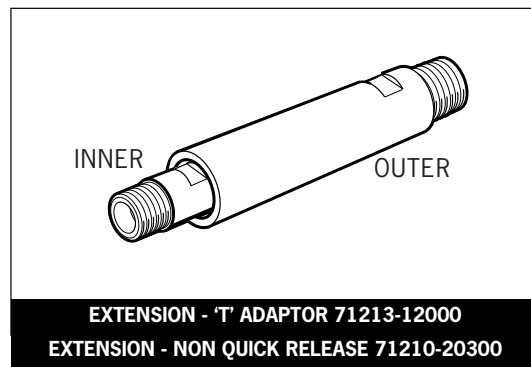
- Fit Stem Deflector (07340-00342) into Adaptor (71213-20101).
- Push the assembled Stem Deflector and Adaptor over Bottle Adaptor Assembly **31** and align with the cut-out feature.



Extension

Fitted between the tool and the nose assembly the extension allows access into deep channels.

- The Tool must be fitted with Jaw Spreader Housing **9*** (71210-02101) and 'O' Ring before extension (71210-20300). See page 11.
- To fit the extension, remove any nose assembly components.
- Screw the Inner extension to Jaw Spreader Housing **9***.
- Screw the Outer extension onto Head Assembly **50**.
- Fit the nose assembly onto the extension.



Item numbers in **bold** refer to the general assembly drawing and parts list on pages 26 and 27.

9* refers to illustrations on pages 11 and 12.

Accessories

Swivel Heads

Instead of a nose assembly, a swivel head can be fitted to a base tool. It allows 360° rotation of the tool about the nose tip and allows access into many applications otherwise too restrictive. There are two types of swivel heads: the straight swivel head with the nose tip slightly offset from the centre line of the tool head and the right-angle swivel head with the nose tip on a perpendicular axis to the head of the tool. See drawings below for dimensions and pages 15-16 for detail.

IMPORTANT

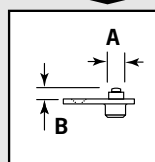
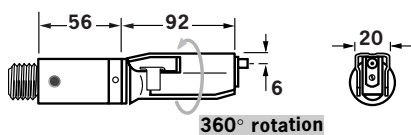
PRIOR to fitting a swivel head, the base tool must be adapted. See Preparing the Base Tool opposite. In contrast to nose assemblies part numbers of swivel heads do INCLUDE a nose tip as shown below.

Swivel heads are supplied separately for fitting to a base tool forming a complete tool. See table below for part numbers. Jaws and nose tips vary depending on the fastener to be placed but all other components remain the same within each type of swivel head. See the 'capability' tables below and page 15. For the 'Constant Components' table see page 17.

'A' and 'B' dimensions will help you assess the accessibility of your application.

STRAIGHT SWIVEL HEAD capability

NAME	FASTENER		SWIVEL HEAD PART N°	NOSE TIP (mm)		JAWS PART N°	see below
	Ø ¹	MATERIAL		PART N°	'A'		
AVEX®	1/8	3.2 Al Alloy	07345-03000	07345-03600	7.87	3.81	07340-00213 ... 001
	1/8	3.2 Steel	07345-03100	07345-03700	7.87	3.81	07340-00213 ... 004
	5/32	4.0 Al Alloy	07345-03100	07345-03700	7.87	3.81	07340-00213 ... 004
	5/32	4.0 Steel	07345-03200	07345-03800	7.87	3.81	07490-04602 ... 010
	3/16	4.8 Al Alloy	07345-03200	07345-03800	7.87	3.81	07490-04602 ... 010
BULBEX®	5/32	4.0 Al Alloy	07345-03100	07345-03700	7.87	3.81	07340-00213 ... 004
	3/16	4.8 Al Alloy	07345-03200	07345-03800	7.87	3.81	07490-04602 ... 010
AVINOX®II	1/8	3.2 Stainless Steel	07345-03100	07345-03700	7.87	3.81	07340-00213 ... 004
	5/32	4.0 Stainless Steel	07345-03200	07345-03800	7.87	3.81	07490-04602 ... 010
STAVEX®	1/8	3.2 Steel	07345-03100	07345-03700	7.87	3.81	07340-00213 ... 004
	5/32	3.2 Steel	07345-03200	07345-03800	7.87	3.81	07490-04602 ... 010
	1/8	4.0 Stainless Steel	07345-03100	07345-03700	7.87	3.81	07340-00213 ... 004
	5/32	4.0 Stainless Steel	07345-03200	07345-03800	7.87	3.81	07490-04602 ... 010
AVSEAL®II	-	4 Al Alloy	07494-06000	07494-06001	6.35	1.95	07340-00213 ... 160
	-	4 Al Alloy	07494-06600	07494-06601 ²	6.35	4.11	07340-00213 ... 180
	-	5 Al Alloy	07494-06100	07494-06101	7.62	2.00	07340-00213 ... 161
	-	5 Al Alloy	07494-06700	07494-06701 ²	7.62	4.11	07340-00213 ... 181
AVDEL®	1/8	3.2 Al Alloy	07345-03300	07345-03301	5.08	1.17	07340-00229 ... 283
	1/8	3.2 Al Alloy O	07494-03600	07494-03601	5.08	1.17	07340-00229 ... 284
	1/8	3.2 Stainless Steel	07494-03000	07494-03011	5.08	3.81	07340-00213 ... 285
	5/32	4.0 Al Alloy	07345-03400	07345-03401	6.6	0.84	07340-00229 ... 288
	5/32	4.0 Al Alloy O	07494-03700	07494-03701	6.6	0.84	07340-00229 ... 289
MBC®	1/8	3.2 Al Alloy	07345-04000	07165-00701	4.75	1.9	07340-00229 ... 300
	5/32	4.0 Al Alloy	07345-04100	07165-00702	6.35	2.36	07340-00229 ... 305
MBC L/C®	1/8	3.2 Al Alloy	07345-04700	07345-04701	7.87	2.03	07340-00229 ... 320
	5/32	4.0 Al Alloy	07345-04700	07345-04701	7.87	2.03	07340-00229 ... 320
	5/32	4.0 Al Alloy O	07345-04800	07345-04701	7.87	2.03	07498-04401 ... 327



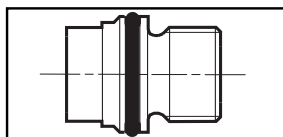
COMPLETE TOOL PART NUMBER :
 precede with 71203-30
 (the stop nut and safety cap are included)

IMPORTANT: by opposition to complete tools with nose assemblies, those fitted with swivel heads include the nose tip as a part of the head.

¹ In inches then in millimetres.

² Long nose tip for deep placing.

O Oversize



Remove Male 'T' Adaptor **40** from the Tool (see pages 11 and 15) and replace with Jaw Spreader Housing (71210-02101).

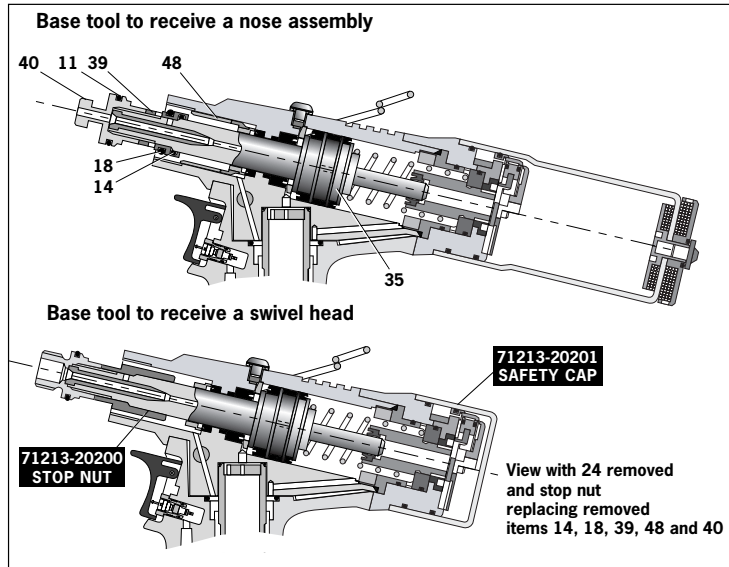
Accessories

Preparing the Base Tool for Right-Angle and Straight Swivel Head Attachment

- Disconnect the air supply.
- Remove any nose assembly items.
- Remove Stem Collector Bottle Assembly **24** (71213-03800).
- Replace assembly **24** with Safety Cap (71213-20201)
- Unscrew Male 'T' Adaptor **40** and remove with 'O' Ring **11**, Locknut **39**, 'O' Rings **18** and **14**, and Seal Housing **48**. Do not refit these items.
- Screw Stop Nut (71213-20200) onto the front of Head Piston **35** as far as it will go by hand.
- Fit Jaw Spreader Housing (71210-02101) and 'O' Ring **11**, tighten onto Head Piston **35**, finally tighten Stop Nut against Jaw Spreader Housing.

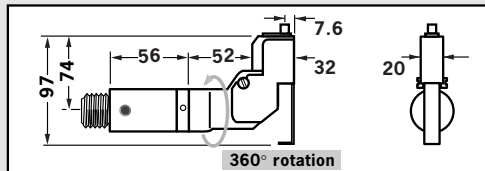
The tool is now ready to be fitted with a swivel head. Instructions page 16.

Item numbers in **bold** refer to the general assembly drawing and parts list on pages 26-27.

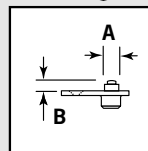


RIGHT-ANGLE SWIVEL HEAD capability

NAME	FASTENER		SWIVEL HEAD PART N°	NOSE TIP (mm)		JAWS PART N°	see below
	Ø ¹	MATERIAL		PART N°	'A'		
AVEX®	1/8	Aluminium Alloy	07346-03000	07345-03600	7.87	3.81	07340-00213 ... 001
	1/8	Steel	07346-03100	07345-03700	7.87	3.81	07340-00213 ... 004
	5/32	Aluminium Alloy	07346-03100	07345-03700	7.87	3.81	07340-00213 ... 004
	5/32	Steel	07346-03200	07345-03800	7.87	3.81	07490-04602 ... 010
	3/16	Aluminium Alloy	07346-03200	07345-03800	7.87	3.81	07490-04602 ... 010
BULBEX®	5/32	Aluminium Alloy	07346-03100	07345-03700	7.87	3.81	07340-00213 ... 004
	3/16	Aluminium Alloy	07346-03200	07345-03800	7.87	3.81	07490-04602 ... 010
AVINOX® II	1/8	Stainless Steel	07346-03100	07345-03700	7.87	3.81	07340-00213 ... 004
	5/32	Stainless Steel	07346-03200	07345-03800	7.87	3.81	07490-04602 ... 010
AVSEAL® II	-	Aluminium Alloy	71213-04000	71213-16401	6.35	1.95	07340-00213 ... 160
	-	Aluminium Alloy	71213-04700	71213-16402 ²	6.35	4.11	07340-00213 ... 180
	-	Aluminium Alloy	71213-04100	71213-16403	7.62	2.00	07340-00213 ... 161
	-	Aluminium Alloy	71213-04800	71213-16404 ²	7.62	4.11	07340-00213 ... 181
STAVEX®	1/8	Steel	07346-03100	07345-03700	7.87	3.81	07340-00213 ... 004
	5/32	Steel	07346-03200	07345-03800	7.87	3.81	07490-04602 ... 010
	1/8	Stainless Steel	07346-03100	07345-03700	7.87	3.81	07340-00213 ... 004
	5/32	Stainless Steel	07346-03200	07345-03800	7.87	3.81	07490-04602 ... 010
AVDEL®	1/8	Aluminium Alloy	07346-03300	07345-03301	5.08	1.17	07340-00229 ... 283
	1/8	Aluminium Alloy O	07495-03600	07494-03601	5.08	1.17	07340-00229 ... 284
	1/8	Stainless Steel	07495-03000	07494-03011	5.08	3.81	07340-00213 ... 285
	5/32	Aluminium Alloy	07346-03400	07345-03401	6.6	0.84	07340-00229 ... 288
	5/32	Aluminium Alloy O	07495-03700	07494-03701	6.6	0.84	07340-00229 ... 289
MBC®	1/8	Aluminium Alloy	07346-04000	07165-00701	4.75	1.9	07340-00229 ... 300
	5/32	Aluminium Alloy	07346-04100	07165-00702	6.35	2.36	07340-00229 ... 305
MBC L/C®	1/8	Aluminium Alloy	07346-04500	07345-04701	7.87	2.03	07340-00229 ... 320
	5/32	Aluminium Alloy	07346-04500	07345-04701	7.87	2.03	07340-00229 ... 320
	5/32	Aluminium Alloy O	07346-04600	07345-04701	7.87	2.03	07498-04401 ... 327



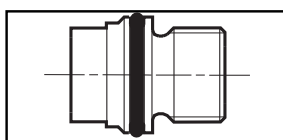
¹ In inches then in millimetres. ² Long nose tip for deep placing.



O Oversize

COMPLETE TOOL PART NUMBER :
 precede with 71203-40
 (the stop nut and safety cap are included)

IMPORTANT: in contrast to complete tools with nose assemblies, those fitted with swivel heads include the nose tip as a part of the head.



Remove Male 'T' **40** Adaptor from the Tool and replace with Jaw Spreader Housing (71210-02101) See 'Preparing the Base Tool' above and page 11.