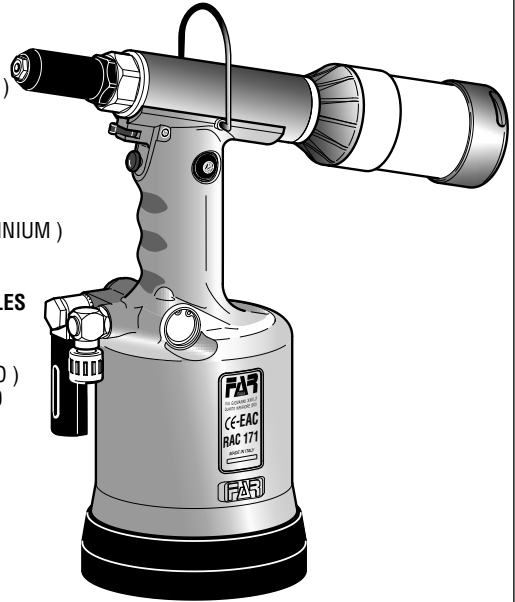


RAC 171



- I - ISTRUZIONI ORIGINALI**
RIVETTATRICE OLEOPNEUMATICA
PER RIVETTI Ø 4,8* ÷ 7,8**
(*ESCLUSO ALLUMINIO **SOLO ALLUMINIO)
ISTRUZIONI D'USO - PARTI DI RICAMBIO
- GB - TRANSLATION OF ORIGINAL INSTRUCTIONS**
HYDROPNEUMATIC RIVETING TOOL
FOR RIVETS Ø 4,8* ÷ 7,8**
(*ALUMINIUM EXCLUDED **ALUMINIUM ONLY)
INSTRUCTIONS FOR USE - SPARE PARTS
- F - TRADUCTION DES INSTRUCTIONS ORIGINALES**
OUTIL À RIVETER OLÉOPNEUMATIQUE
POUR RIVETS Ø 4,8* ÷ 7,8**
(*SAUF ALUMINIUM **SEULEMENT ALUMINIUM)
MODE D'EMPLOI - PIÈCES DÉTACHÉES
- D - ÜBERSETZUNG VON ORIGINALANLEITUNGEN**
PNEUMATISCH-HYDRAULISCHES WERKZEUG
FÜR NIETE Ø 4,8* ÷ 7,8**
(*ALUMINIUM AUSGESCHLOSSEN **NUR ALUMINIUM)
BEDIENUNGSANLEITUNG - ERSATZTEILE
- E - TRADUCCION DE LAS ISTRUCCIONES ORIGINALES**
REMACHADORA OLEONEUMATICA
PARA REMACHES Ø 4,8* ÷ 7,8**
(*EXCLUIDO EN ALUMINIO **SOLO EN ALUMINIO)
ISTRUCCIONES DE USO - PIEZAS DE REPUESTO
- PL - TLUMACZENIE ORYGINALNEJ INSTRUKCJI**
NITOWNICA PNEUMATYCZNO-HYDRAULICZNA
DO NITÓW 4,8* ÷ 7,8** MM
(*WYJĄTKIEM ALUMINIUM** TYLKO ALUMINIUM)
INSTRUKCJA OBSŁUGI - CZĘŚCI ZAMIENNE
- RUS - ПЕРЕВОД ОРИГИНАЛЬНЫХ ИНСТРУКЦИЙ**
ГИДРОПНЕВМАТИЧЕСКИЙ ИНСТРУМЕНТ
ДЛЯ ЗАКЛЕПОК Ø 4,8* ÷ 7,8**
(*ВСЕ ВИДЫ КРОМЕ АЛЛЮМИНИЯ, **ТОЛЬКО ИЗ АЛЛЮМИНИЯ)
ИНСТРУКЦИИ ПО ИСПОЛЬЗОВАНИЮ - ЗАПАСНЫЕ ЧАСТИ
• ДАТА ПРОИЗВОДСТВА УКАЗАНА В «ТЕХНИЧЕСКОМ ПАСПОРТЕ»
- PT - TRADUÇÃO DAS INSTRUÇÕES ORIGINAIS**
REBITADORA OLEO-PNEUMÁTICA
PARA REBITES Ø 4,8* - 7,8**
(*EXCEPTO EM ALUMÍNIO** SÓ EM ALUMÍNIO)
INSTRUÇÕES DE UTILIZAÇÃO – PEÇAS SOBRESSALENTES

No.	CODE	Q.ty	DESCRIPTION	KIT
01	717004	1	Nozzle for rivet ø 4,8 Cu / Steel	
02	713253	1	Sleeve carrying nozzle	
03	711337	1	Gasket OR 2-021	
04	710562	1	Clamps holding cone	
05	71345507	3	High-performance clamps	
06	711270	1	Clamps opener	
07	710853	1	Springs	
08	711336	4	Gasket OR 2-114	
09A	713254	1	Cone holder	A
10A	713249	1	Expeller sleeve	A
11	713255	1	Front connector	
12	711722	1	Gasket B-094063-B / NEI	
13	713272	2	Gasket OR 2-125	
14	713278	3	Gasket OR 2-122	
15	713277	1	Ring Parbak 8-122	
16	713276	1	Gasket TSE-134094	
17	713258	1	Anti-extrusion ring	
18	713251	1	Oil-dynamic piston	
19	713273	2	Gasket OR 17,5 x 1,5	
20	713274	2	Gasket OR 8 x 1,5	
21	713247	1	Bush	
22	711821	1	Seeger ring JV 20	
23	713275	1	Gasket OR 2-122	
24	723269	1	Oil-dynamic cylinder	
25	71346119	1	Balancer hook	
26	710350	2	Gasket OR 2-109	
27	713250	1	Back connector	
28	711273	1	Container connector	
29A	71346130	1	Ring	A
33B	710819	1	Nails container	B
34B	711136	1	Air conveyor	B
35	713282	1	Gasket TSE 16 x 23 x 6	
36	713281	1	Gasket TTS 16 x 23 x 5,8 / L	
37	710367	2	Gasket OR 2-008	
38	711234	1	Pin ø 2 x 11,8	
39	721275	1	Long valve body	
40	710918	2	Gasket OR 2-005	
41	711254	1	Valve piston	
42	711338	1	Gasket OR 2-003	
43	711261	1	Leve for inlet opening	
44	710824	1	Push button	
45	710919	1	Gasket OR 2-004	
46	711253	1	Valve piston	
47C	712145	1	Nut M 3 UNI 5587	C
48C	712144	1	Screw TCCE M3 x 20 UNI 5931	C
49	710906	1	Washer 400-020-4490	
50	710839	1	Oil tank plug	
51	711259	1	Service plug	
52	712117	1	Washer	
53D	710840	1	Valve spacer	D
54D	710823	3	Cage	D
55D	710921	3	Gasket OR 2-115	D
56D	711158	1	Spring	D
57	710841	1	Coil	
58	710916	1	Gasket OR 2-015	
59	710528	1	Gasket OR 008	
60	710822	1	Valve piston	
61	710258	1	Gasket OR 5-612	
62	710905	1	Seeger ring 11 UNI 7437	
63	710922	2	Gasket OR 018	
64	712268	1	Spring guide plug	
65	710402	1	Seeger ring 22 UNI 7437	
66	712282	1	Safety washer ø 12,7	
67	710909	1	Connector 2023 - 1/4" - 1/4"	
68	711304	1	Silencer 1/4"	
69	711305	1	Connector 1631-01 - 1/4"	
70	712162	1	Outside silencer protection	
71	712133	1	Rotating connector	
72	721224	1	Riveting tool body	

No.	CODE	Q.ty	DESCRIPTION	KIT
73	711252	1	Tube ø 8 x 7	
74	713245	1	Rod guide connector	
75	711339	1	Gasket OR 2-129	
76	713246	1	Shock absorber	
77	713243	1	Rod	
78	713244	1	Washer	
79	721226	1	Pneumatic piston	
80	711340	1	Gasket OR 2-343	
81	710596	1	Screw TE M10 x 17	
82	711386	1	Gasket OR 2-045	
83	711255	1	Bottom plate	
84	711225	1	Cylinder cover	
85	711737	1	Protection bottom	
86	711092	1	Wrench 5 mm	
87	721387	1	Oil container	
88	713391	1	Flat key 12 mm	
89	717005	1	Nozzle for rivet ø 6 / 6,4	
90	717007	1	Nozzle for rivet ø 7,8	
91	717018	1	Nozzle for rivet ø 4,8	
92	717019	1	Nozzle for rivet ø 6,4	
93	717015	1	Nozzle for rivet Farbolt ø 6,4	
94	717016	1	Nozzle for rivet Farbolt ø 4,8	
95	713213	3	Clamps for Farbolt	
96	711356	1	Cone holding clamps for Farbolt	
97	711370	1	Out put connector	
98	71345212	1	Nails baffle	
99A	71C01372	1	Gasket OR 6 x 1,5	A
100A	711272	1	Suction tube	A

KIT

No.	CODE	Q.ty	DESCRIPTION
KITA	743254		Cone holder kit
09A	713254	1	Cone holder
10A	713249	1	Expeller sleeve
29A	71346130	1	Ring
99A	71C01372	1	Gasket OR 6 x 1,5
100A	711272	1	Suction tube
KITB	740819		Nails container kit
33B	710819	1	Nails container
34B	711136	1	Air conveyor
KITC	742144		Screw M 3 kit
47C	712145	5	Nut M 3 UNI 5587
48C	712144	5	Screw TCCE M3 x 20 UNI 5931
KITD	740840		Valve spacer kit
53D	710840	1	Valve spacer
54D	710823	3	Cage
55D	710921	3	Gasket OR 2-115
56D	711158	1	Spring

KIT

It indicates that the part is sold in kits consisting of different parts in different quantities.

